

Three Input Output Device

Features

- 3 x Independent Monitored Inputs
- 3 x Change Over Relay Outputs
- Loop Powered inc Short Circuit Isolator
- Compatible with XP95 & Discovery Protocol
- Low Power Consumption
- Diagnostic LED Indications
- Surface and DIN Mount Enclosures

Description

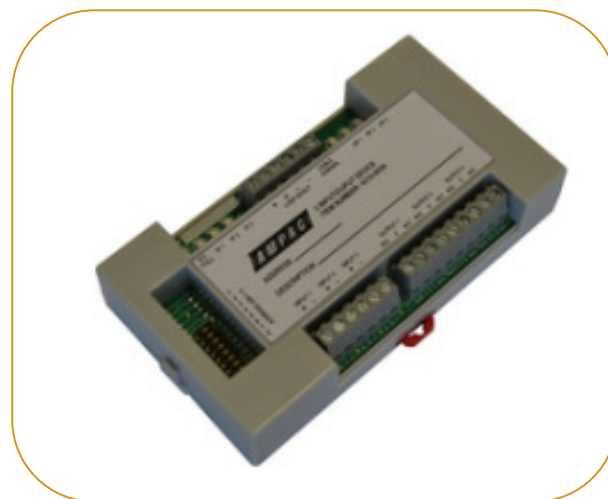
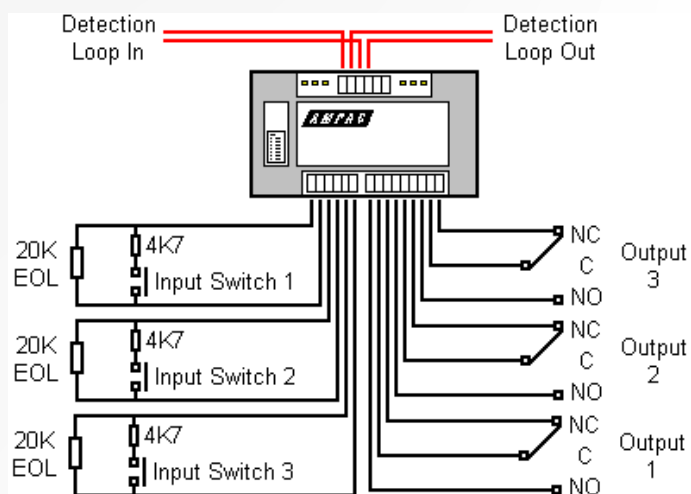
The Ampac Three Input Output Device is designed to interface to a variety of plant control equipment such as door contacts, sprinkler flow switches, gas valves and fire fan control systems.

The Three Input Output Device incorporates three (3) single pole, voltage free change over relay contacts and three (3) monitored switch inputs. Each input can be used to supervise one or more normally open contacts connected to a single pair of cables with monitoring provided for both open and short circuit fault conditions. The Input circuits incorporate de-bounce circuitry for enhanced noise rejection and are protected against high transient voltages.

The Ampac Three Input Output Device is loop powered and includes bi directional isolation circuitry for protection against detection loop short circuits. On board LED status indication is provided for service and commissioning purposes, a feature that can be deactivated during normal operation to reduce the current draw on the system.

Two packaging options are available. The 'DIN Mount' version enables the device to be mounted onto standard 35mm DIN rail or screwed direct to the back pan of a larger enclosure while the 'Enclosed' version allows the device to be surface mounted to a wall.

Schematic



DIN Mount version

Applications

- HVAC/BMS Systems
- Aspirating Systems
- Lifts and Door Contacts
- Beam & Flame Status

Item Numbers

| Item No | Description |
|-----------|-------------------------------------|
| 4210-0054 | Three Input Output Device DIN Mount |
| 4210-0055 | Three Input Output Device Enclosed |

Specifications

| | | |
|-----------------------|-------------------------------|---------------|
| Operating Voltage | 17 - 28V DC | |
| Max Current at 24V DC | LEDs Enabled | LEDs Disabled |
| Quiescent Current | 1.87mA | 1.31mA |
| 1 Input On | 2.56mA | 1.47mA |
| 2 Inputs On | 2.93mA | 1.51mA |
| 3 Inputs On | 3.26mA | 1.54mA |
| Output 1 On | 2.62mA | 1.40mA |
| Output 2 On | 3.36mA | 1.40mA |
| Output 3 On | 4.10mA | 1.40mA |
| Total | 6.01mA | 1.59mA |
| Output Contact Rating | 1A at 30V AC or DC | |
| Operating Temp. | -20°C +70°C | |
| Humidity | 0 to 95% Non-condensing | |
| Dimensions | (H x W x D) | |
| DIN Mount | 75mm x 144mm x 25mm | |
| Enclosed | 150mm x 200mm x 52mm | |
| Enclosure (4210-0055) | | |
| Cable Entry | 4 Side 4 Rear | |
| | Conduit knock outs Top Bottom | |
| Material | Grey ABS | |
| IP Rating | IP44 | |



WORLD LEADER OF INNOVATIVE SOLUTIONS
IN FIRE DETECTION AND ALARM SYSTEMS

Australia +61 8 9201 6100 Europe +44 (0) 1302 833 622 New Zealand +64 9443 8072



www.ampac.net

1 of 1